

# cLLK07/cLLK07 N Zone 1/Zone 21

## Product Introduction

cLLK 07 series Ex-protected bi-pin fluorescent lamps are Exe designed, suitable for hazardous location by the presence of flammable vapors, gases or combustible dusts. With its excellent corrosion, impact & UV-resistance capability, it is the best choice for Marine and Offshore platforms under extreme corrosive environments and other industrial application.



- Enclosure: Glass-fiber reinforced polyester, 7J impact-resistant.
- Protective cover: Polycarbonate, 4J impact-resistant.
- Highly corrosion, impact & UV resistant



- Double sided safety lock



- Modern electronic ballast with EOL protection according to the latest standards



- A second interlock switch increases the safety level for the operator



- The replacement lamps can be safely deposited in the bowl



- Internal battery unit to save initial investment.
- Ex-component w/ U-cert.
- 1-lamp can be set on site for an emergency duration of 1.5hr of 3hr.



- **Green LED Indicator**
  - LED is ON during normal operation and battery charging.
  - LED is flashing when battery is discharging;
  - LED is OFF during no power supply, or inverter & battery is damaged, or battery is fully discharged



- Central Lock Locking Mechanism, the housing and the protective bowl are securely locked by means of a locking mechanism on both sides that features 10(18W) or 20(36W) latch points

# cLLK07/cLLK07 N Zone 1/Zone 21

## Technical Data

<b>Marking acc.to ATEX</b>	cLLK07: $\text{Ex}$ II 2 G Ex d e q IIC T4 Gb / II 2 D Ex tb IIIC T80°C Db cLLK07 N: $\text{Ex}$ II 2 G Ex d e ib mb q IIC T4 Gb / II 2 D Ex tb IIIC T80°C Db
<b>Marking acc.to IECEx</b>	cLLK07: Ex d e q IIC T4 Gb / Ex tb IIIC T80°C Db cLLK07 N: Ex d e ib mb q IIC T4 Gb / Ex tb IIIC T80°C Db
<b>Marking acc.to GB</b>	cLLK07: Ex d e q IIC T4 Gb / DIP A21 T <sub>A</sub> T6 IP66 cLLK07 N: Ex d e ib mb q IIC T4 Gb / DIP A21 T <sub>A</sub> T6 IP66
<b>Rated voltage</b>	cLLK07: 220V-240V AC, 50/60Hz; 220V DC cLLK07 N: 220V-240V AC, 50/60Hz
<b>Permissible ambient temperature</b>	cLLK07 / cLLK07N: -25°C to +50°C
<b>Power factor</b>	≥0.96
<b>Ingress protection</b>	IP66
<b>Connecting terminals</b>	2 rows of terminal; L1, L2, L3, L, N, PE; Max. 2 x 6mm <sup>2</sup> single wire per terminal
<b>Cable glands</b>	Ex e cable glands M25 x 1.5 (plastic) for Cable from ø 8-17mm; Option: M20 x 1.5 metal thread
<b>Lamp/Lamp cap</b>	18W/36W(T8) , G13
<b>Enclosure material</b>	Glass-fibre reinforced polyester, 7J impact-resistant
<b>Protective cover</b>	Polycarbonate, 4J impact-resistant
<b>Weight</b>	cLLK07018/18: 4.6 kg; cLLK07036/36: 6.7 kg; cLLK07018/18N: 5.4 kg; cLLK07036/36N: 7.5 kg
<b>Battery</b>	Ni-Cd, 4.5Ah 6V / Ni-Cd, 7Ah 6V
<b>(cLLK07 N, emergency version)</b>	
<b>Battery operation temp</b>	Charge: 0°C-+60°C / Discharge: -20°C-+70°C
<b>(cLLK07 N, emergency version)</b>	
<b>Rated emergency operation duration</b>	Single tube 1.5hr or 3hr
<b>(cLLK07 N, emergency version)</b>	
<b>Emergency Lumen output percent</b>	Single tube 18W-30%, 36W-25%
<b>(cLLK07 N, emergency version)</b>	

## T - Pating Performance

Cat No.	Ambient	T code(Gas)	T C (Dust)
cLLK 07018/18	-25 °C~+50 °C	T4	80 °C
cLLK 07018/18N	-25 °C~+50 °C	T4	80 °C
cLLK 07036/36	-25 °C~+50 °C	T4	80 °C
cLLK 07036/36N	-25 °C~+50 °C	T4	80 °C

# cLLK07/cLLK07 N Zone 1/Zone 21

## Ordering Information

Part No.	Std. Cat No.	Wattage	Emergency Lighting Operation	Though-wiring		Cable entires	Glands	Plugs
				Single-ended	Double-ended			
CCL1215003*	cLLK 07018/18 1/6-1	2 x 18W	-	√	-	2 x M25 x 1.5	2 pcs(plastic)	
CCL1215004*	cLLK 07018/18 2/6-2	2 x 18W	-	-	√	4 x M25 x 1.5	2 pcs(plastic)	2 pcs(plastic)
CCL1215005*	cLLK 07018/18 1/6-1M <sup>1)</sup>	2 x 18W	-	√	-	2 x M20 x 1.5		1 pc(plastic) 1pc(blank plug)
CCL1215006*	cLLK 07018/18 2/6-2M <sup>1)</sup>	2 x 18W	-	-	√	4 x M20 x 1.5		2 pcs(plastic), 2pcs(blank plug)
CCL1215007*	cLLK 07036/36 1/6-1	2 x 36W	-	√	-	2 x M25 x 1.5	2 pcs(plastic)	
CCL1215008*	cLLK 07036/36 2/6-2	2 x 36W	-	-	√	4 x M25 x 1.5	2 pcs(plastic)	2 pcs(plastic)
CCL1215009*	cLLK 07036/36 1/6-1M <sup>1)</sup>	2 x 36W	-	√	-	2 x M20 x 1.5		1 pc(plastic) 1pc(blank plug)
CCL1215010*	cLLK 07036/36 2/6-2M <sup>1)</sup>	2 x 36W	-	-	√	4 x M20 x 1.5		2 pcs(plastic), 2pcs(blank plug)
CCL1215011*	cLLK 07018/18N 1/6-1 A <sup>2)</sup>	2 x 18W	1.5h	√	-	2 x M25 x 1.5	2 pcs(plastic)	
CCL1215012*	cLLK 07018/18N 2/6-2 A <sup>2)</sup>	2 x 18W	1.5h	-	√	4 x M25 x 1.5	2 pcs(plastic)	2 pcs(plastic)
CCL1215013*	cLLK 07018/18N 1/6-1M <sup>1)</sup> A <sup>2)</sup>	2 x 18W	1.5h	√	-	2 x M20 x 1.5		1 pc(plastic) 1pc(blank plug)
CCL1215014*	cLLK 07018/18N 2/6-2M <sup>1)</sup> A <sup>2)</sup>	2 x 18W	1.5h	-	√	4 x M20 x 1.5		2 pcs(plastic), 2pcs(blank plug)
CCL1215015*	cLLK 07018/18N 1/6-1 B <sup>3)</sup>	2 x 18W	3h	√	-	2 x M25 x 1.5	2 pcs(plastic)	
CCL1215016*	cLLK 07018/18N 2/6-2 B <sup>3)</sup>	2 x 18W	3h	-	√	4 x M25 x 1.5	2 pcs(plastic)	2 pcs(plastic)
CCL1215017*	cLLK 07018/18N 1/6-1M <sup>1)</sup> B <sup>3)</sup>	2 x 18W	3h	√	-	2 x M20 x 1.5		1 pc(plastic) 1pc(blank plug)
CCL1215018*	cLLK 07018/18N 2/6-2M <sup>1)</sup> B <sup>3)</sup>	2 x 18W	3h	-	√	4 x M20 x 1.5		2 pcs(plastic), 2pcs(blank plug)
CCL1215019*	cLLK 07036/36N 1/6-1 A <sup>2)</sup>	2 x 36W	1.5h	√	-	2 x M25 x 1.5	2 pcs(plastic)	
CCL1215020*	cLLK 07036/36N 2/6-2 A <sup>2)</sup>	2 x 36W	1.5h	-	√	4 x M25 x 1.5	2 pcs(plastic)	2 pcs(plastic)
CCL1215021*	cLLK 07036/36N 1/6-1M <sup>1)</sup> A <sup>2)</sup>	2 x 36W	1.5h	√	-	2 x M20 x 1.5		1 pc(plastic) 1pc(blank plug)
CCL1215022*	cLLK 07036/36N 2/6-2M <sup>1)</sup> A <sup>2)</sup>	2 x 36W	1.5h	-	√	4 x M20 x 1.5		2 pcs(plastic), 2pcs(blank plug)
CCL1215023*	cLLK 07036/36N 1/6-1 B <sup>3)</sup>	2 x 36W	3h	√	-	2 x M25 x 1.5	2 pcs(plastic)	
CCL1215024*	cLLK 07036/36N 2/6-2 B <sup>3)</sup>	2 x 36W	3h	-	√	4 x M25 x 1.5	2 pcs(plastic)	2 pcs(plastic)
CCL1215025*	cLLK 07036/36N 1/6-1M <sup>1)</sup> B <sup>3)</sup>	2 x 36W	3h	√	-	2 x M20 x 1.5		1 pc(plastic) 1pc(blank plug)
CCL1215026*	cLLK 07036/36N 2/6-2M <sup>1)</sup> B <sup>3)</sup>	2 x 36W	3h	-	√	4 x M20 x 1.5		2 pcs(plastic), 2pcs(blank plug)

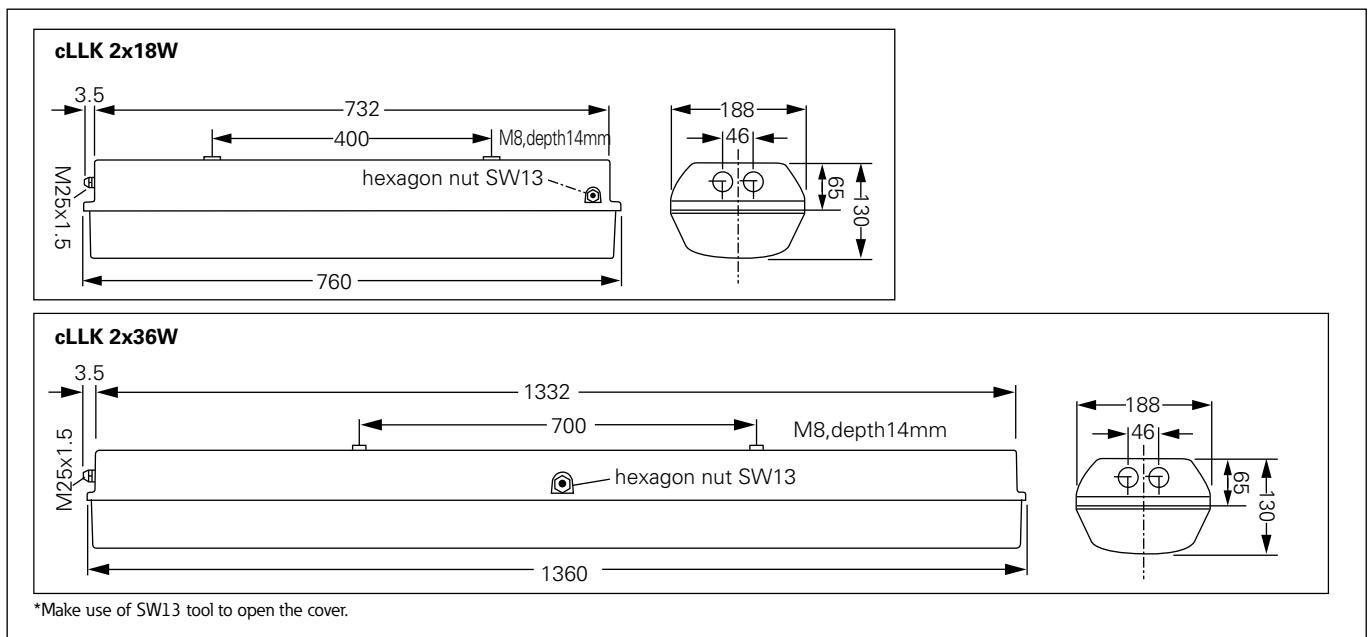
\*Default= IECEx certified; suffix A= ATEX certified; suffix B=GB certified

<sup>1)</sup> M: Metal entry only, without cable gland

<sup>2)</sup> A: 1.5hr Emergency lighting operation

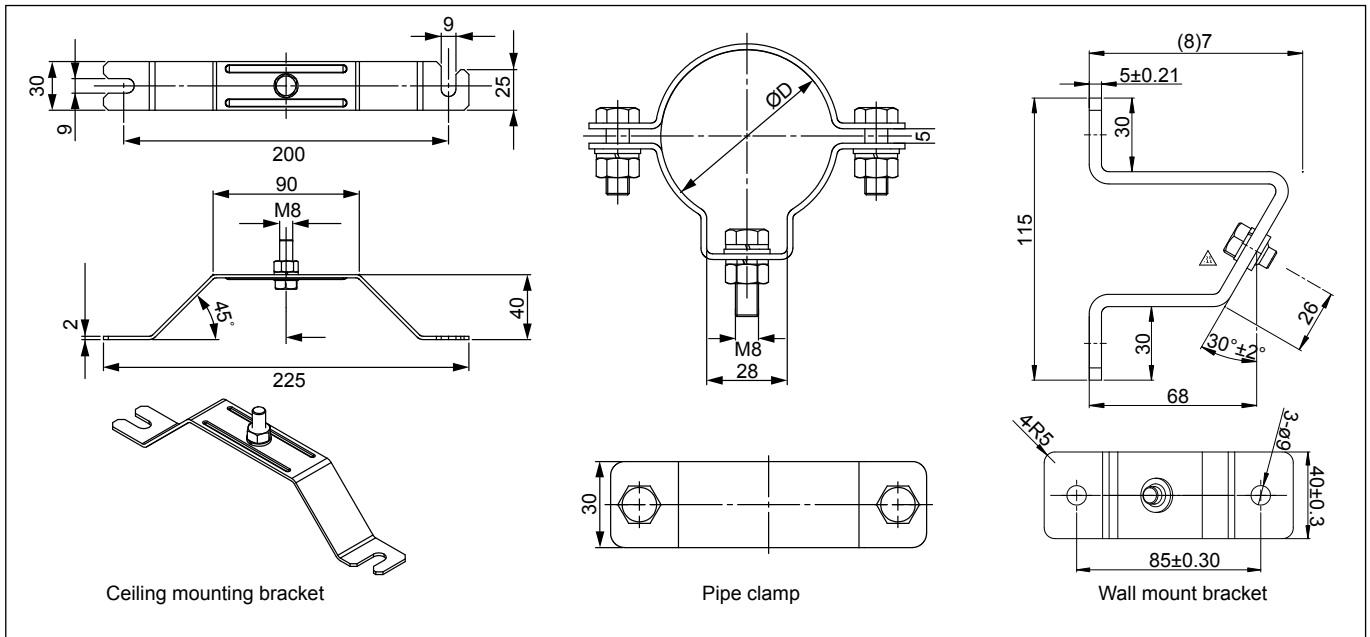
<sup>3)</sup> B: 3hr Emergency lighting operation

## Dimension Drawing



# cLLK07/cLLK07 N Zone 1/Zone 21

## Mounting Accessories



## Pipe Mounting

Part No	Description	Qty
CHR5218	Pipe Clamp Assy D42 316S/S	2
CHR5219	Pipe Clamp Assy D42 304S/S	2
CHR5220	Pipe Clamp Assy D42 Hot-dip Galvanized	2
CHR5221	Pipe Clamp Assy D51 316S/S	2
CHR5222	Pipe Clamp Assy D51 304S/S	2
CHR5223	Pipe Clamp Assy D51 Hot-dip Galvanized	2

## Wall Mounting

Part No	Description	Qty
CHR5248	Wall Suspension 316S/S	2
CHR5249	Wall Suspension 304S/S	2
CHR5250	Wall Suspension Hot-dip Galvanized	2

## Ceiling Mounting

Part No	Description	Qty
CHR5245	Ceiling Mounting BKT 316S/S	2
CHR5246	Ceiling Mounting BKT 304S/S	2
CHR5247	Ceiling Mounting BKT Hot-dip Galvanized	2

## Safety Chain

Part No	Description	Qty
CHR7005	Safety Chain 316S/S	1