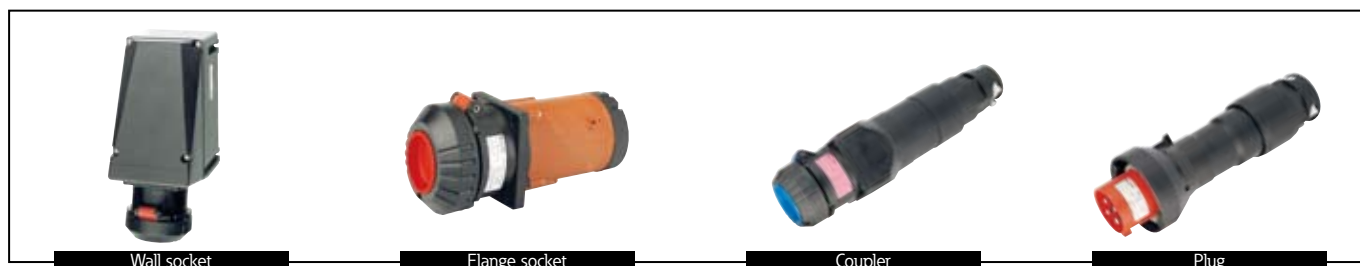


32A 4-Pole Up to 690 V | 32A 5-Pole Up to 415 V

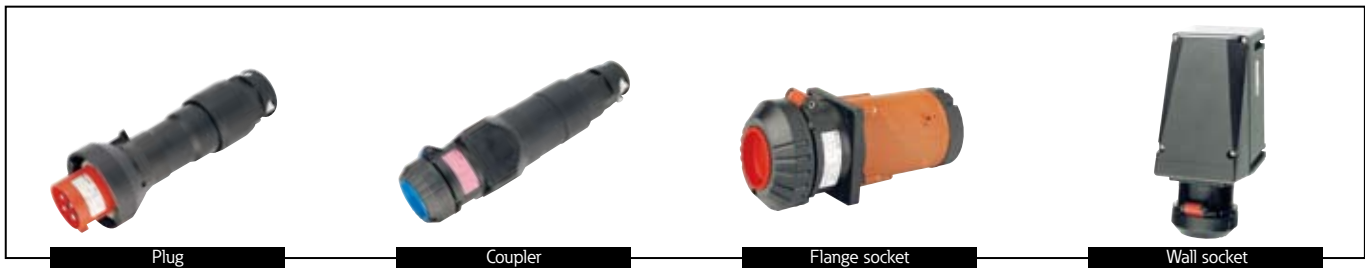


Technical Data

Ex-plugs and receptacles accd. to IEC 60309-1/2	
Marking to 94/9/EC	Ⓔ II 2 G Ex de (ia) IIC T6 / Ⓔ II 2 D Ex tD A21 IP66 T60 °C
EC-Type examination certificate	Wall socket, plug and coupler: PTB 99 ATEX 1041 Flange socket: PTB 99 ATEX 1042 U
IECEX certification of conformity	IECEX BK1 04.0006
IECEX type of protection	Ex ed [ia] IIC T6/T5
Permissible ambient temperature	-20 °C to +40 °C ¹⁾
Rated voltage	up to 750 V (AC)
Rated current	32 A
Frequency	up to 400 Hz
Rated making/rated breaking capacity AC-3 accd. EN 60947-3	U _e 690 V / I _e 32 A
External back-up fuse	without therm. protection: 35 A with therm. protection: 50 A gL (rated current 32 A set to)
Insulation class	I
Degree of protection accd. EN 60529	IP66
Enclosure colour	black
Wall socket	
Cable glands/enclosure drilling	1 x M40 Ø 17 - 28 mm, 1 x M40 Ex-screw plug plastic or 2 x M32 metal thread with 2 Ex-screw plug plastic
Connecting terminals	2 x 4 - 10 mm ²
Enclosure material	Glass-fibre reinforced polyester
Plug	
Cabel glands	Ø 17 - 28 mm
Connecting terminals	1.0 - 6 mm ²
Enclosure material	Polyamide
Coupler	
Cabel glands	Ø 17 - 28 mm
Connecting terminals	2 x 4 - 10 mm ²
Enclosure material	Polyamide
Flange socket	
Connecting terminals	2 x 4 - 10 mm ²
Enclosure material	Polyamide

¹⁾ extended temperature range on request

32A 4-Pole Up to 690 V | 32A 5-Pole Up to 415 V



Ordering Information

Voltage	h	Type	Auxiliary contact	Cable entries	Weight approx.	Order No.
Type 32 A 4-pole						
200-250 V		Wall socket	–	KU	1.8 kg	GHG 512 4409 R0001
		Wall socket	–	ME	1.9 kg	GHG 512 4409 R3001
		Flange socket			1.0 kg	GHG 512 8409 R0001
		Coupler			1.7 kg	GHG 512 3409 R0001
		Plug			0.7 kg	GHG 512 7409 R0001
380-415 V		Wall socket	–	KU	1.8 kg	GHG 512 4406 R0001
		Wall socket	–	ME	1.9 kg	GHG 512 4406 R3001
		Wall socket	yes	KH	1.8 kg	GHG 512 4406 R0501
		Flange socket			1.0 kg	GHG 512 8406 R0001
		Coupler			1.7 kg	GHG 512 3406 R0001
480-500 V		Wall socket	–	KU	1.8 kg	GHG 512 4407 R0001
		Wall socket	–	ME	1.9 kg	GHG 512 4407 R3001
		Wall socket	yes	KH	1.8 kg	GHG 512 4407 R0501
		Flange socket			1.0 kg	GHG 512 8407 R0001
		Coupler			1.7 kg	GHG 512 3407 R0001
600-690 V		Wall socket	–	KU	1.8 kg	GHG 512 4405 R0001
		Wall socket	–	ME	1.9 kg	GHG 512 4405 R3001
		Wall socket	yes	KH	1.8 kg	GHG 512 4405 R0501
		Flange socket			1.0 kg	GHG 512 8405 R0001
		Coupler			1.7 kg	GHG 512 3405 R0001
200-250 V		Wall socket	–	KU	1.8 kg	GHG 512 4506 R0001
		Wall socket	–	ME	1.9 kg	GHG 512 4506 R3001
		Wall socket	yes	KH	1.8 kg	GHG 512 4506 R0501
		Flange socket			1.0 kg	GHG 512 8506 R0001
		Coupler			1.7 kg	GHG 512 3506 R0001
380-415 V		Plug			0.7 kg	GHG 512 7506 R0001

Other voltage ranges and versions available on request.

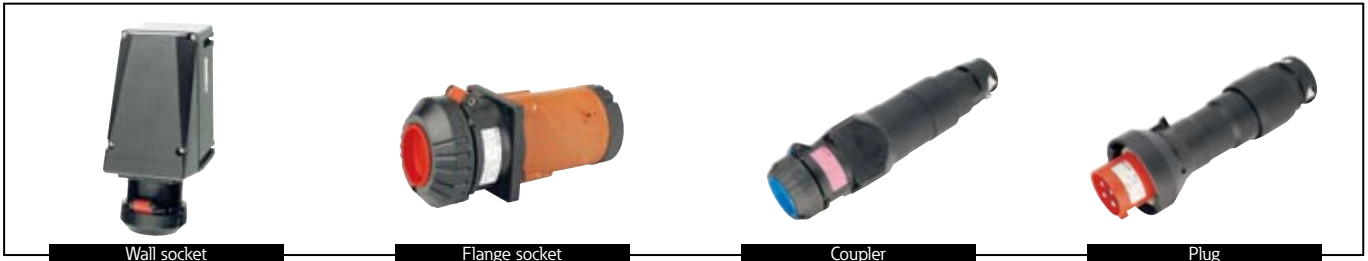
KU = 1 x plastic cable glands M40 for Ø 17-28 mm, 1 x M40 Ex-screw plug plastic

KH = 1 x plastic cable glands M40 for Ø 16-28 mm,

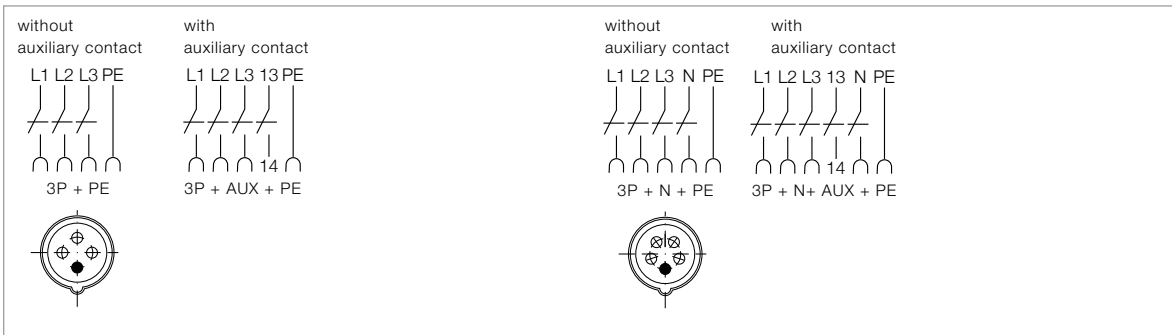
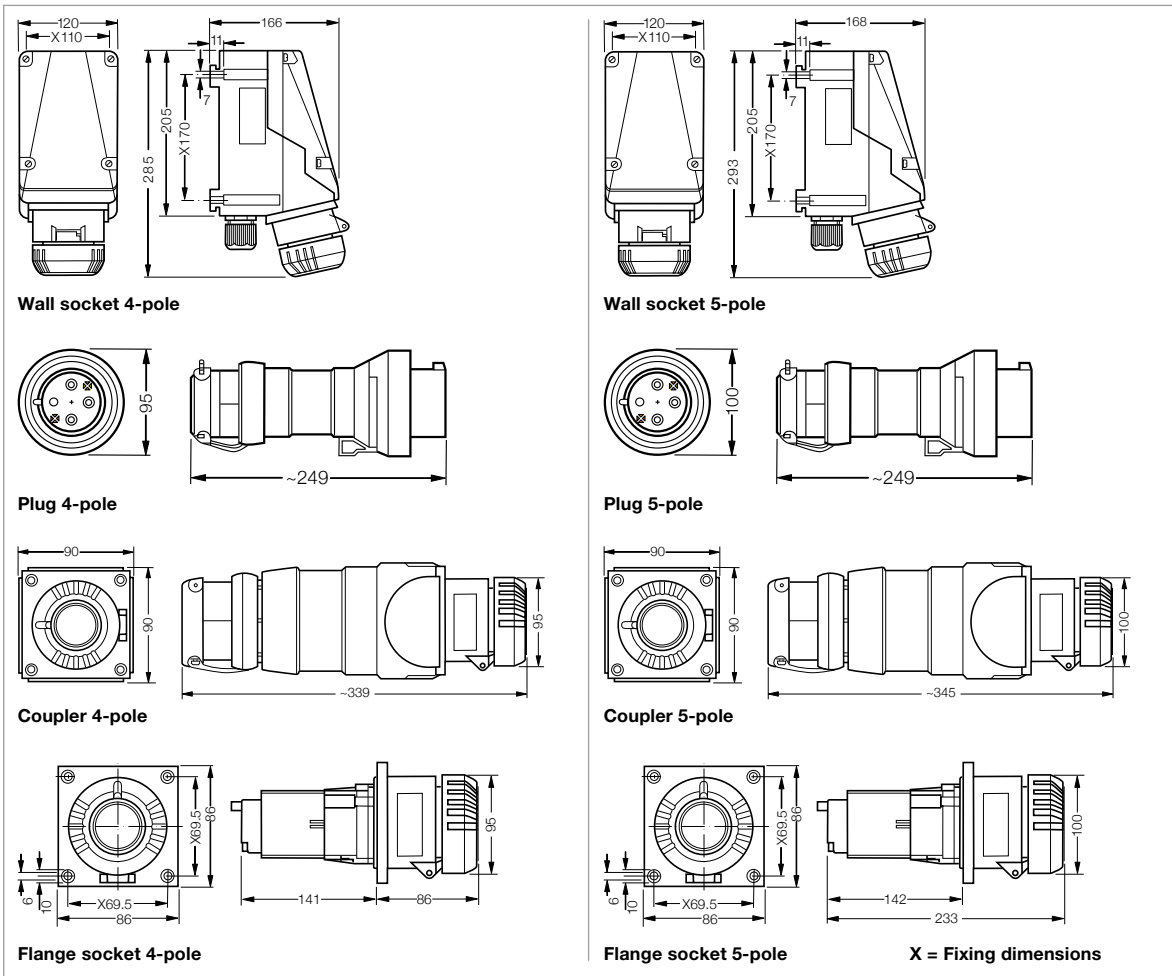
1 x plastic cable glands M25 for Ø 8 - 17 mm, with auxiliary contact

ME = 2 x metal thread M32 with Ex-screw plug plastic

32A 4-Pole Up to 690 V | 32A 5-Pole Up to 415 V



Dimension Drawing | Wiring Diagram



Dimensions in mm

32A 4-Pole Up to 690 V | 32A 5-Pole Up to 415 V



Accessories

Mounting plates for wall sockets 32 A

Type	Application	Fixing method	Order No.
Size 5	for wall mounting	snap on	GHG 610 1953 R0128
Size 5	for trellis mounting	snap on	GHG 610 1953 R0128
Size 5	for pipe mounting	snap on	GHG 610 1953 R0132

Plug cap for plugs 32 A

Type	Order No.
Plug 32 A 3-pole/4-pole	GHG 510 1901 R0004
Plug 32 A 5-pole	GHG 510 1901 R0005

Accessories for mounting plates

Type	OU	Order No.
Mounting set for pipes 1" (Ø 27 - 30 mm) for mounting plates with pipe fixing	10	GHG 610 1953 R0020

Please pay attention that only order units (OU) according to the Ordering Information can be delivered.

Protective canopy for mounting plate

Type	Application	Order No.
Size 5	for mounting plate size 5, plugable	GHG 610 1955 R0108

Dimension Drawing

