

CMMF Mirror Fluorescent Light

Product Introduction

Housing

Galvanized Steel, with RAL9016 white powder coated, Optional SS316L

Switch

Double pole switch and receptacle provided

Diffuser

PC

Electric

Magnetic Ballast

Lamp Base

G13

Mounting

Surface mounting, under cabinet

Entries

Two $\varnothing 14$ entry holes on back, with rubber grommet

Terminal Block

3 pole 6mm² max

Ambient Temp

-25 °C~+55 °C

Certificate

DNV



Application Area

IP44, for bathroom, mirror or berth

Ordering Information

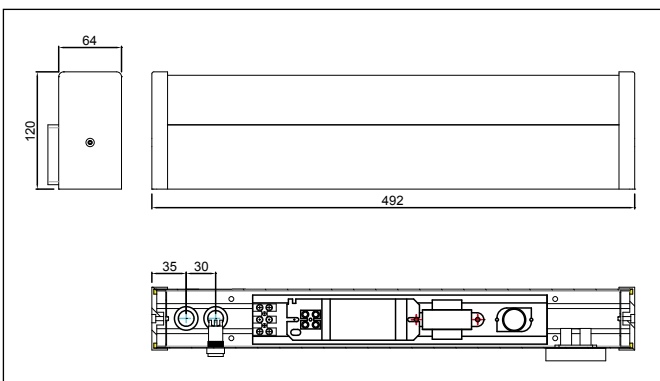
CMMF	-16	-115	-126	-NR
	00-Galvanized Steel 16-Stainless Steel 316L	115-1x15W	126-120V 60Hz 225-220V 50Hz 236-230V 60Hz 235-230V 50Hz	NR-Without Socket

Commonly Ordered Luminaires

Wattage	Volt /Fre	Description	Material Code	L mm	W mm	D mm	Weight kg
1x15W	120V 60Hz	CMMF-00-115-126	CCL1209459	492	64	120	1.7
	230V 60Hz	CMMF-00-115-236	CCL1209460				
	220V 50Hz	CMMF-00-115-225	CCL1209461				
	230V 50Hz	CMMF-00-115-235	CCL1209449				

Please consult Eaton's Crouse-Hinds for more configurations!

Dimensions



Polar Curves

