

MSFL Surface Fluorescent Luminaire

Product Introduction

Housing

Slim design; Deep drawn Galvanized steel housing with RAL9016 white powder coated, SS316L housing are available

Diffuser

Clear PC

Electric

Standard magnetic or electronic ballast. 90min or 180min emergency battery for single lamp. Through wiring.

Lamp Base

G13

Entries

Two cable glands and two plugs

Application Area

IP66/67, design for engine room, galley or other various applications

Mounting

Surface Mounting

Terminal Block

6 pole 6mm² max

Ambient Temp

Magnetic Ballast:
-25 °C~+55 °C
Electronic Ballast:
-25 °C~+45 °C*

Certificate

DNV

*Lower or higher Temp Version On Request



Ordering Information

MSFL	-16	-218	-E2	-EM	-25
	00-Galvanized Steel	218-2x18W	126-120V 60Hz	EM-90min Backup Battery	20-Cable glands M20(plastic)
	16-Stainless Steel 316L	236-2x36W	225-220V 50Hz 236-230V 60Hz E2-220~240V 50/60Hz E-110~240V 50/60Hz D-220~240V 50/60Hz (Dimming Ballast)	EM3-180min Backup Battery	25-Cable glands M25(plastic)

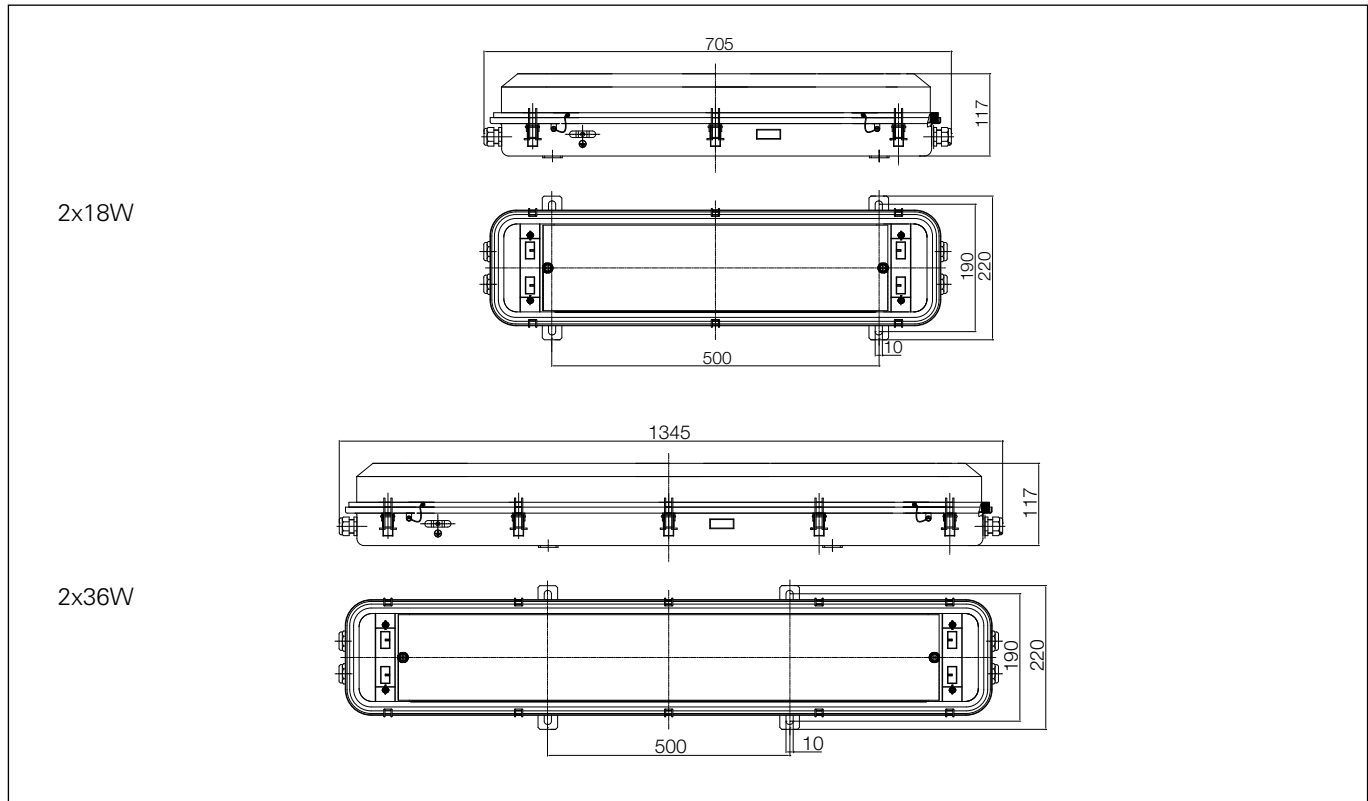
Commonly Ordered Luminaires

Wattage	Volt /Fre	Description	Material Code	L mm	W mm	D mm	Weight kg			
2x18W	220V~240V 50/60Hz	MSFL-00-218-E2-20	CCL1209224	705	220	117	5			
		MSFL-16-218-E2-20	CCL1209236							
	110V~240V 50/60Hz	MSFL-00-218-E-20	CCL1209200							
		MSFL-16-218-E-20	CCL1209212							
2x18W Emergency	220V~240V 50/60Hz	MSFL-00-218-E2-EM-20	CCL1209225				1345	220	117	5.5
		MSFL-16-218-E2-EM-20	CCL1209237							
	110V~240V 50/60Hz	MSFL-00-218-E-EM-20	CCL1209201							
		MSFL-16-218-E-EM-20	CCL1209213							
2x36W	220V~240V 50/60Hz	MSFL-00-236-E2-20	CCL1209227	1345	220	117	9.7			
		MSFL-16-236-E2-20	CCL1209239							
	110V~240V 50/60Hz	MSFL-00-236-E-20	CCL1209203							
		MSFL-16-236-E-20	CCL1209215							
2x36W Emergency	220V~240V 50/60Hz	MSFL-00-236-E2-EM-20	CCL1209228				1345	220	117	10.2
		MSFL-16-236-E2-EM-20	CCL1209240							
	110V~240V 50/60Hz	MSFL-00-236-E-EM-20	CCL1209204							
		MSFL-16-236-E-EM-20	CCL1209216							

Please consult Eaton's Crouse-Hinds for more configurations!

MSFL Surface Fluorescent Luminaire

Dimensions



Polar Curves

