

# ADE 4a

## Product Introduction

### Type of Cable Gland

- With elastomeric seal

### Cable type

- Armoured cable

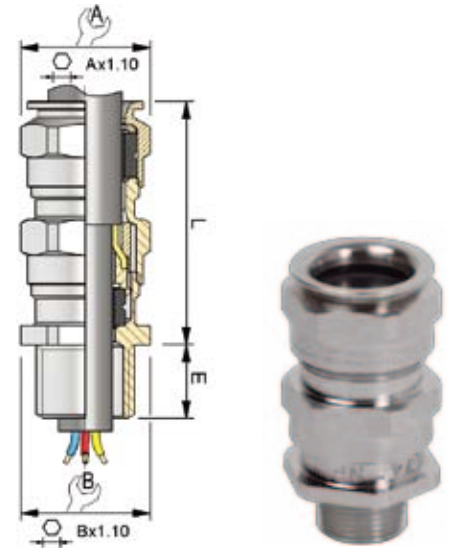
### Certifications

- IP66

### Features:

- Standard nickel-plated brass material for superior corrosion resistance.
- Neoprene seal certified from -40°C~100°C.

Caution: A cable clamping must be realized within a range of 300mm from the extremity of the cable gland.



EXAMPLE	
CAP84669 4A	
Gland Type	Options

OPTIONS (required)
9F stainless steel 304**
4A nickel-plated brass

Gland Size	Thread Size		Thread Length 'E' (mm)	Cable Inner Sheath (mm)	Cable Outer Sheath (mm)	Max Armour Thickness (mm)	Gland Length 'L' (mm)	Hexagone	
	ISO	Reference						A*(mm)	B*(mm)
5	16	CAP846594A	15	4-8.5	6-12	0.9	36	19	19
6		CAP846504A	15	6-12	8.5-16	1.25	42	24	24
5	20	CAP846674A	15	4-8.5	6-12	0.9	36	19	24
6		CAP846694A	15	6-12	8.5-16	1.25	42	24	24
7		CAP846604A	15	8.5-16	12-21	1.25	46	30	30
6	25	CAP846774A	15	6-12	8.5-16	1.25	42	19	30
7		CAP846794A	15	8.5-16	12-21	1.25	46	24	30
8		CAP846704A	15	12-20.5	16-27.5	1.6	56	30	41
8	32	CAP846894A	15	12-21	16-27.5	1.6	56	41	41
9		CAP846804A	15	16-27.5	21-34	1.6	63	41	48
9	40	CAP846994A	15	16-27.5	21-34	1.6	63	48	48
10		CAP846904A	15	21-34	27-41	2	68	48	55
10	50	CAP847094A	16	21-34	27-41	2	68	55	55
11		CAP847004A	16	27-41	33-48	2.5	74	55	64
12	63	CAP847294A	17	27-41	33-48	2.5	77	64	72
13		CAP847204A	17	33-48	40-56	2.5	85	72	85

\* A, B is the parallel-edge distance of Hexagon, and the diagonal-edge distance is Ax1.1, Bx1.1.

\*\* Please use lube in the fastening operation of stainless steel products against thread seizure. Please find the detailed lube information in accessories.