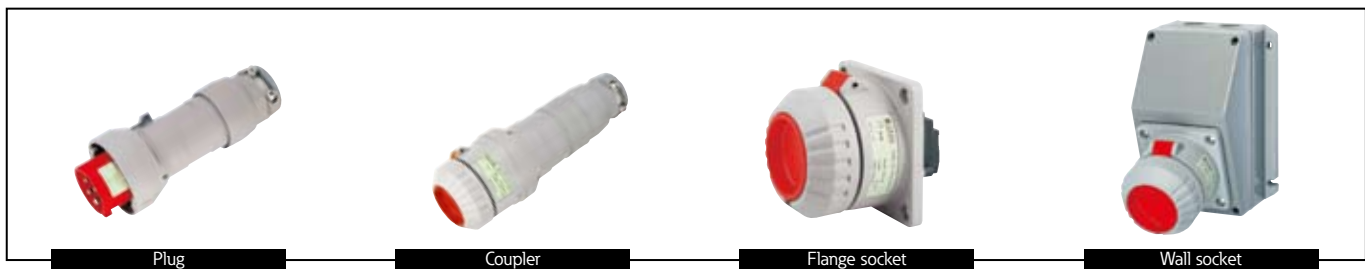


# 16A 3-pole, 4-pole and 5-pole up to 415 V

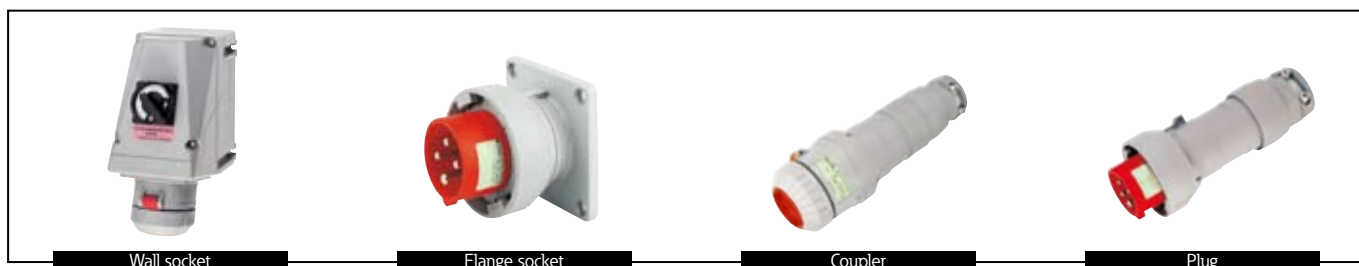


## Technical Data

Plugs and receptacles – Industry accd. to IEC 60309-1/2 up to 690 V	
Permissible ambient temperature	-20°C to +40°C / -45 °C to +45 °C (optional) <sup>1)</sup>
Rated voltage	415 V (3-pole) / 690 V (4-/5-pole)
Rated current	16 A
Frequency	50/60 Hz
External back-up fuse, max.	without therm. protection: 16 A
Insulation class	I
Degree of protection to EN 60529	IP66
Wall socket with interlock switch	
Rated making/rated breaking capacity AC-3 accd. EN 60947 for wall socket with switch	Ue 500 V / Ie 20 A
Cable glands	1 x M25 Ø 8 - 17 mm, 1 x M25 thread plug plastic
Connecting terminals	2 x 1.5 – 4 mm <sup>2</sup>
Enclosure material	Glass-fibre reinforced polyester
Wall socket without switch	
Cable glands	2 x PG 16 top, 2 x PG 16 bottom
Connecting terminals	2 x 1.5 – 4.0 mm <sup>2</sup>
Enclosure material	Polyamide
Plug	
Cable glands	Ø 8 - 19 mm (3-pole) / Ø 8 - 21 mm (4-pole) / 12 - 21 mm (5-pole)
Connecting terminals	1 x 1.0 – 2.5 mm <sup>2</sup>
Enclosure material	Polyamide
Coupler	
Cable glands	Ø 8 - 19 mm (3-pole) / Ø 8 - 21 mm (4-pole) / 12 - 21 mm (5-pole)
Connecting terminals	2 x 1.5 – 4 mm <sup>2</sup>
Enclosure material	Polyamide
Flange socket/inlet	
Connecting terminals	2 x 1.5 – 4 mm <sup>2</sup>
Enclosure material	Polyamide

<sup>1)</sup> extended temperature range on request

# 16A 3-pole, 4-pole and 5-pole up to 415 V

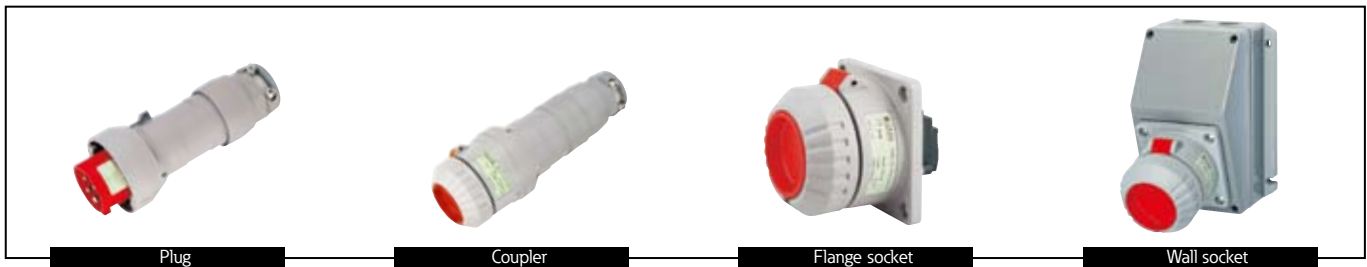


## Ordering Information

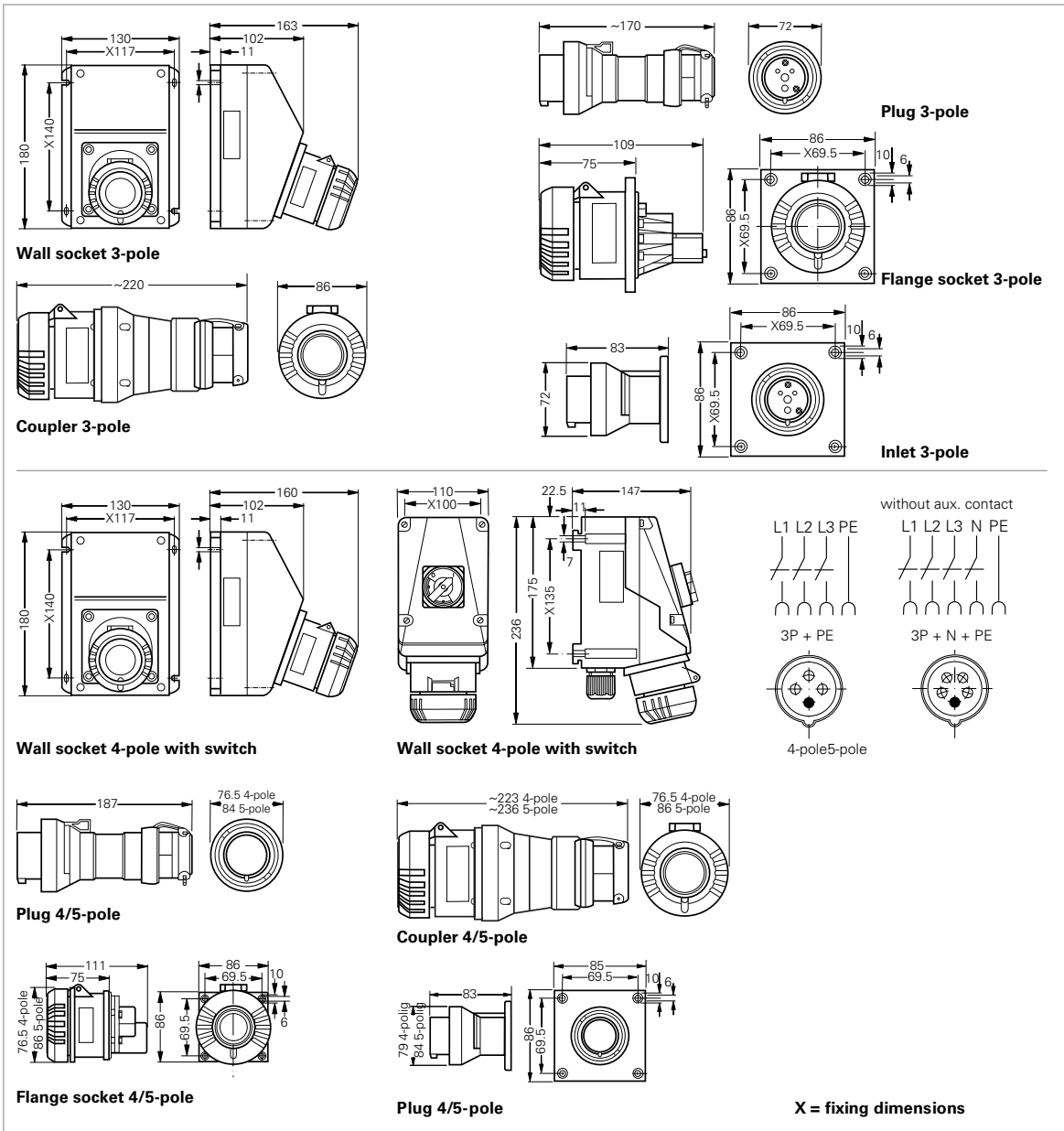
Voltage	h	Type	Weight approx.	Order No.
<b>Type 16 A 3-pole</b>				
110-130 V		Wall socket	0.8 kg	GHG 521 2304 R0001
		Plug	0.32 kg	GHG 521 7304 R0001
		Coupler	0.5 kg	GHG 521 3304 R0001
		Flange socket	0.37 kg	GHG 521 8304 R0001
		Inlet	0.26 kg	GHG 521 9304 R0001
200-250 V		Wall socket	0.8 kg	GHG 521 2306 R0001
		Plug	0.32 kg	GHG 521 7306 R0001
		Coupler	0.5 kg	GHG 521 3306 R0001
		Flange socket	0.37 kg	GHG 521 8306 R0001
		Inlet	0.26 kg	GHG 521 9306 R0001
<b>Type 16 A 4-pole</b>				
200-250 V		Wall socket	0.85 kg	GHG 521 2409 R0001
		Wall socket with interlock switch	1.60 kg	GHG 521 4409 R0001
		Plug	0.39 kg	GHG 521 7409 R0001
		Coupler	0.65 kg	GHG 521 3409 R0001
		Flange socket	0.42 kg	GHG 521 8409 R0001
		Inlet	0.31 kg	GHG 521 9409 R0001
380-415 V		Wall socket	0.85 kg	GHG 521 2406 R0001
		Wall socket with interlock switch	1.60 kg	GHG 521 4406 R0001
		Plug	0.39 kg	GHG 521 7406 R0001
		Coupler	0.65 kg	GHG 521 3406 R0001
		Flange socket	0.42 kg	GHG 521 8406 R0001
		Inlet	0.31 kg	GHG 521 9406 R0001
480-500 V		Wall socket	0.85 kg	GHG 521 2407 R0001
		Wall socket with interlock switch	1.60 kg	GHG 521 4407 R0001
		Plug	0.39 kg	GHG 521 7407 R0001
		Coupler	0.65 kg	GHG 521 3407 R0001
		Flange socket	0.42 kg	GHG 521 8407 R0001
		Inlet	0.31 kg	GHG 521 9407 R0001
600-690 V		Wall socket	0.85 kg	GHG 521 2405 R0001
		Wall socket with interlock switch	1.60 kg	GHG 521 4405 R0001
		Plug	0.39 kg	GHG 521 7405 R0001
		Coupler	0.65 kg	GHG 521 3405 R0001
		Flange socket	0.42 kg	GHG 521 8405 R0001
		Inlet	0.31 kg	GHG 521 9405 R0001
<b>Type 16 A 5-pole</b>				
200-250 V		Wall socket	0.90 kg	GHG 521 2506 R0001
380-415 V		Wall socket with interlock switch	1.65 kg	GHG 521 4506 R0001
		Plug	0.42 kg	GHG 521 7506 R0001
		Coupler	0.75 kg	GHG 521 3506 R0001
		Flange socket	0.47 kg	GHG 521 8506 R0001
		Inlet	0.34 kg	GHG 521 9506 R0001

Other voltage ranges and versions available on request

# 16A 3-pole, 4-pole and 5-pole up to 415 V



## Dimension Drawing



Dimensions in mm

# 16A 3-pole, 4-pole and 5-pole up to 415 V



## Accessories

### Mounting plates for wall sockets 16 A

Type	Application	Fixing method	Order No.
Size 4	for wall mounting	snap on	GHG 610 1953 R0126
Size 4	for trellis mounting	snap on	GHG 610 1953 R0126
Size 4	for pipe mounting	snap on	GHG 610 1953 R0130

### Plug cap for plugs 16 A

Type	Order No.
Plug 16 A 3-pole	GHG 510 1901 R0001
Plug 16 A 4-pole	GHG 510 1901 R0002
Plug 16 A 5-pole	GHG 510 1901 R0003

### Accessories for mounting plates

Type	OU	Order No.
Mounting set for pipes 1" (Ø 27 - 30 mm) for mounting plates with pipe fixing	10	GHG 610 1953 R0020

Please pay attention that only order units (OU) according to the Ordering Information can be delivered.

### Protective canopy for mounting plate

Type	Application	Order No.
Size 4	for mounting plate size 4 plugable	GHG 610 1955 R0107

## Dimension Drawing

