

Kidde ECS Advanced Delivery Fire Suppression System Component Description

Pressure Regulator P/N: 38-509803-001

FEATURES

- *Factory Set Outlet Pressure of 116 PSIG (8 bar)*
- *For Use with Pneumatic 3-Way Directional Valve Operation*
- *UL Listed*
- *FM Approved*
- *RoHS Compliant*

DESCRIPTION

This small, unique Kidde ECS ADS Fire Suppression System with FM-200[®] Agent pressure regulator is used to reduce the pressure coming from the nitrogen pilot cylinder. The service pressure of the nitrogen pilot cylinder starts at 1800 PSIG at 70°F (124 bar at 21°C). Once the nitrogen pilot is discharged, the nitrogen pressure must be reduced between 100 to 150 PSIG (7 to 10 bar) in order to operate the pneumatic solenoid (P/N 06-118329-001). The pneumatic solenoid is mounted to the actuator of the 3-way ball valve. The pressure regulator is preset to release the nitrogen pressure thru the line to approximately 116 PSIG (8 bar).

INSTALLATION

The pressure regulator is labeled with an inlet and an outlet; take note to the appropriate orientation prior to installing the regulator in the nitrogen line, down stream of the nitrogen pilot cylinder. Use the following procedure to install the pressure regulator:



ORDERING INFORMATION

Part Number	Description
06-118334-001	Pressure Regulator only
38-509803-001	Pressure Regulator Kit

SPECIFICATIONS

Body:	Nickel Plated Brass
Inlet Pressure Max:	5150 PSIG at 130°F (355 BAR AT 54°C)
Outlet Pressure:	116 PSIG (8 bar)
Safety Relief:	145 PSIG (10 bar)
Temperature Range:	-20°F to 130°F (-29°C to 54°C)
Weight:	1.5 lb. (0.68 kg)



WARNING

A pressure regulator must be installed in line from the nitrogen pilot in order for the pneumatic solenoid to operate properly. The pneumatic solenoid could be damaged if the manufacturer's maximum pressure recommendation of 150 PSIG (10.34 bar) is exceeded.

1. Apply tape dope to the 1/4-inch NPT male threads of the inlet and outlet connections.
2. Secure pressure regulator to nitrogen pilot line, being sure the outlet is in line, upstream of the pneumatic solenoid.
3. It is recommended that the pressure regulator be mounted to a fixed structure to minimize vibration and to avoid damage to unit during discharge.

MAINTENANCE:

Monthly: Inspect fittings and assembly for cracks, corrosion, grime, etc. Ensure that the fittings are tight and that the pressure regulator is tightly secured to the nitrogen line. If any defects are found during the monthly inspection, immediately contact a Kidde Distributor to service the systems.

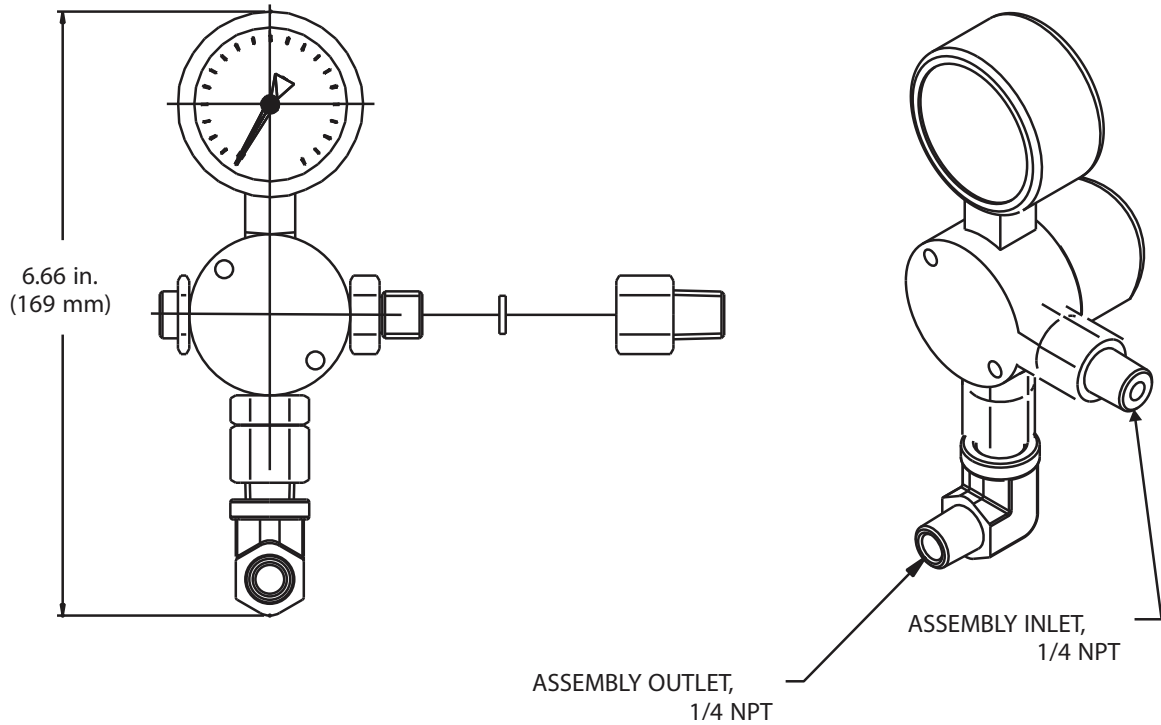


Figure 1. Pressure Relief Dimensions

FM-200 is a registered trademark of E.I. du Pont de Nemours and Company. Kidde is a registered trademark of Kidde-Fenwal Inc. All other trademarks are the property of their respective owners.

This literature is provided for informational purposes only. KIDDE-FENWAL, INC. assumes no responsibility for the product's suitability for a particular application. The product must be properly applied to work correctly. If you need more information on this product, or if you have a particular problem or question, contact Kidde-Fenwal Inc.

